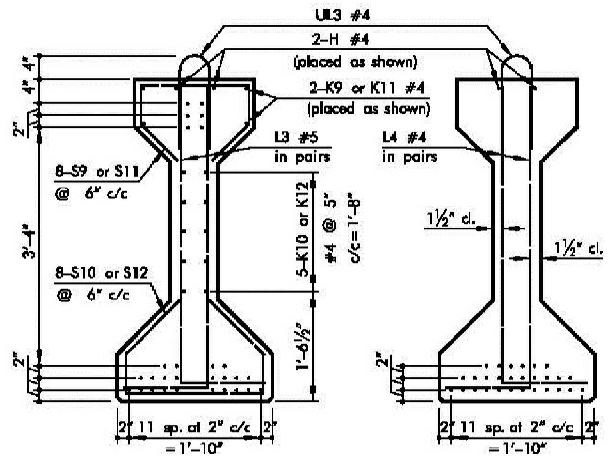
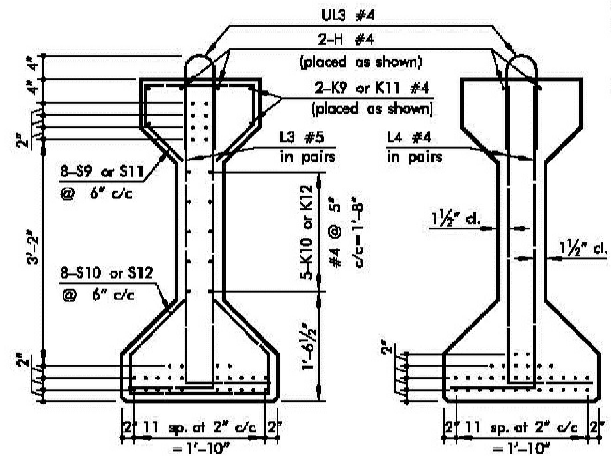


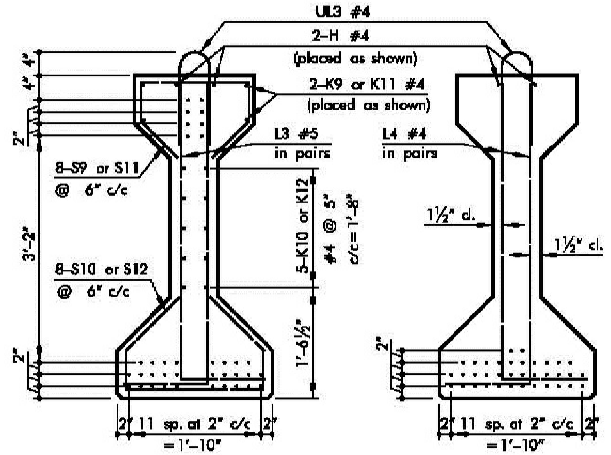
**26'-3" ROADWAY BEAMS**



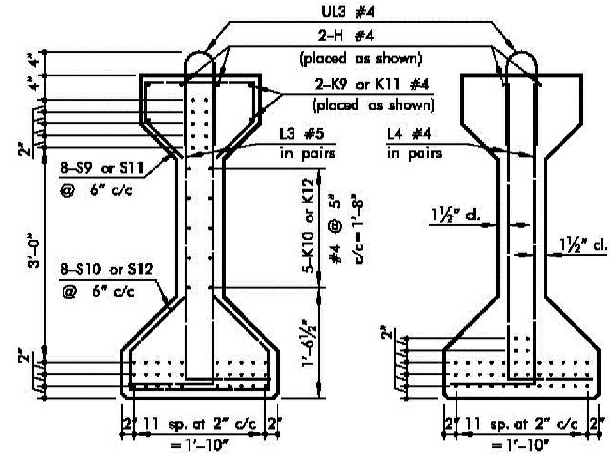
**80' SPAN**  
 END VIEW WITH REINFORCING  
 CENTERLINE SECTION (28- 1/2" Dia. Strands)



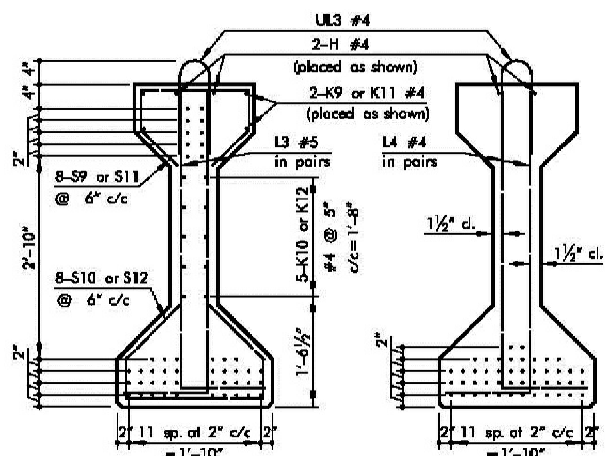
**85' SPAN**  
 END VIEW WITH REINFORCING  
 CENTERLINE SECTION (32- 1/2" Dia. Strands)



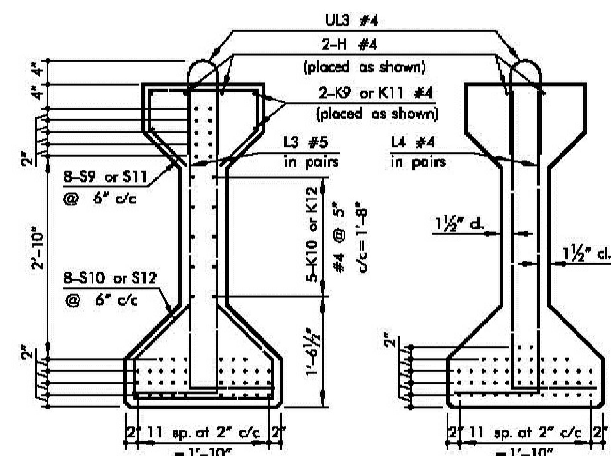
**90' SPAN**  
 END VIEW WITH REINFORCING  
 CENTERLINE SECTION (36- 1/2" Dia. Strands)



**95' SPAN**  
 END VIEW WITH REINFORCING  
 CENTERLINE SECTION (40- 1/2" Dia. Strands)



**100' SPAN**  
 END VIEW WITH REINFORCING  
 CENTERLINE SECTION (46- 1/2" Dia. Strands)

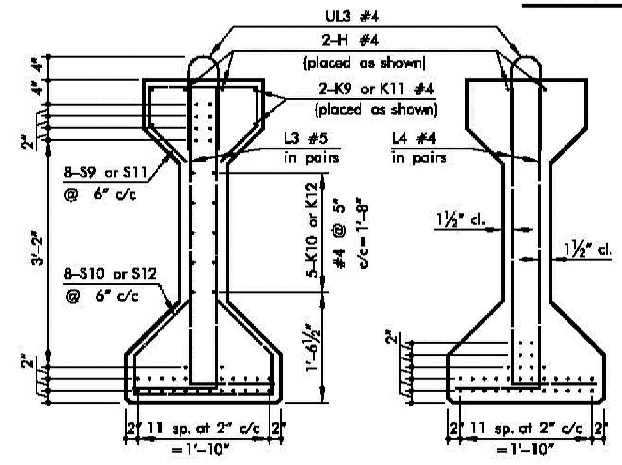


**105' SPAN**  
 END VIEW WITH REINFORCING  
 CENTERLINE SECTION (46- 1/2" Dia. Strands)

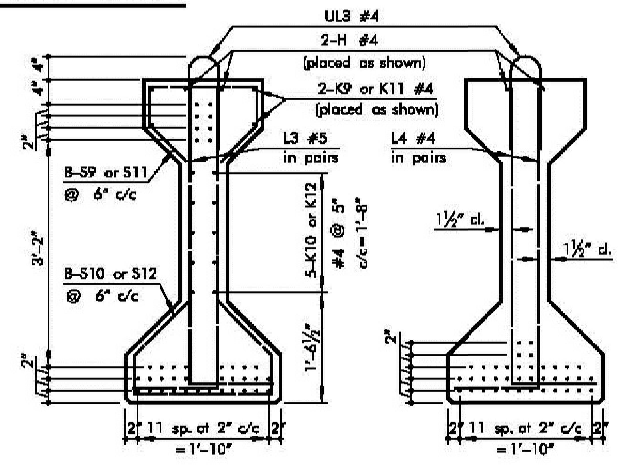
**DESIGN DATA**

LOADING: HS 20-44  
 CONCRETE: (80', 85', 90' & 95' Spans)  
 f<sub>c</sub> = 6,000 psi  
 f<sub>ci</sub> = 4,500 psi  
 CONCRETE: (100' & 105' Spans)  
 f<sub>c</sub> = 8,000 psi  
 f<sub>ci</sub> = 6,000 psi

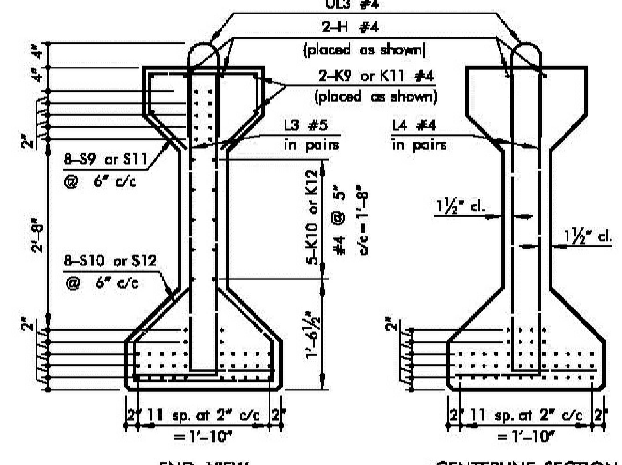
**32'-9" ROADWAY BEAMS**



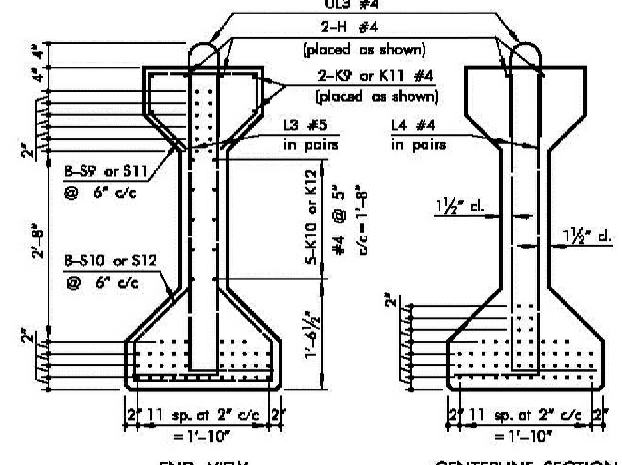
**80' SPAN**  
 END VIEW WITH REINFORCING  
 CENTERLINE SECTION (32- 1/2" Dia. Strands)



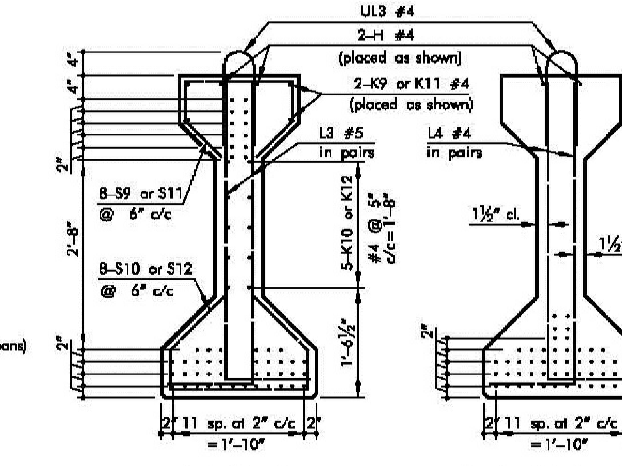
**85' SPAN**  
 END VIEW WITH REINFORCING  
 CENTERLINE SECTION (38- 1/2" Dia. Strands)



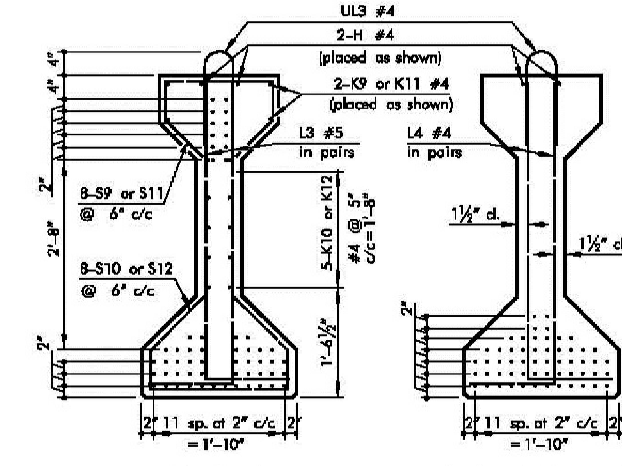
**90' SPAN**  
 END VIEW WITH REINFORCING  
 CENTERLINE SECTION (44- 1/2" Dia. Strands)



**95' SPAN**  
 END VIEW WITH REINFORCING  
 CENTERLINE SECTION (50- 1/2" Dia. Strands)



**100' SPAN**  
 END VIEW WITH REINFORCING  
 CENTERLINE SECTION (50- 1/2" Dia. Strands)



**105' SPAN**  
 END VIEW WITH REINFORCING  
 CENTERLINE SECTION (56- 1/2" Dia. Strands)

**DESIGN DATA**

LOADING: HS 20-44  
 CONCRETE: (80' and 85' Spans)  
 f<sub>c</sub> = 6,000 psi  
 f<sub>ci</sub> = 4,500 psi  
 CONCRETE: (90', 95', 100' & 105' Spans)  
 f<sub>c</sub> = 8,000 psi  
 f<sub>ci</sub> = 6,000 psi

CREEK COUNTY DOG CREEK

**P.C.BEAM SECTIONS TYPE IV**